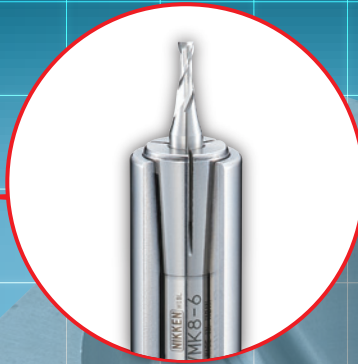


The Ultimate Chuck for Small Dia. Tools

MINI-MINI CHUCK **ADVANCED α**

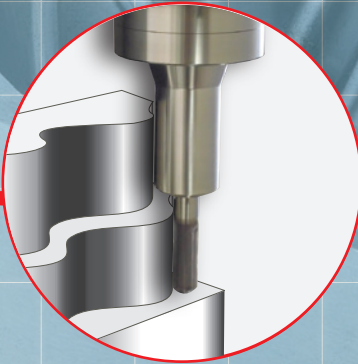
1. Strong Gripping at Nose

Run-out Accuracy : 0.003mm at 4D



2. Slim Body Design

Narrow Body Design Accesses Tight Spots

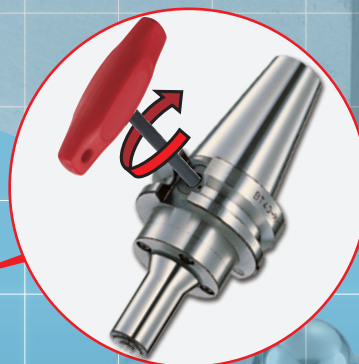


3. Quick and Easy

Powerful Gripping Torque just with a wrench

Direct Screw Type is also available
Clamp/Unclamp directly from the end of tool

* Direct-screw type keeps same product code.



30,000min⁻¹
& G2.5 !

Titanium Nitred Bearing Nut (HV2,200)



NEW ADVANCED α

Standard Type of MINI-MINI CHUCK is more advanced

Refurbish Internal Component

Higher Run-out Accuracy, Operability and Durability

NIKKEN

NIKKEN KOSAKUSHO WORKS, LTD.
5-1, 1-chome, Minamishinden, Daito-shi, Osaka-fu, Japan

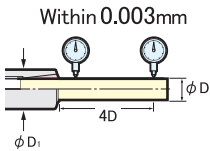
Web: www.nikken-kosakusho.co.jp/en
Tel: +81-(0)72-869-5820 Fax: +81-(0)72-869-6220
e-mail: export@nikken-kosakusho.co.jp

MINI-MINI CHUCK ADVANCED ALPHA



BT

Coolant-thru becomes the standard.
(MMC8 / MMC12)



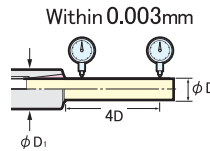
Extra-long size is available



NBT

Coolant-thru becomes the standard.
(MMC8 / MMC12)

NBT Toolholders are interchangeable between standard and double face contact spindles greater flexibility.



Extra-long size is available

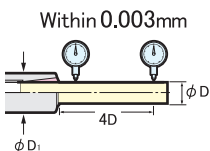


Taper	Code No.	φD1	φD
BT30	BT30 -MMC 4 -105-AA	1~ 4	15
	-MMC 8C-105-AA	2~ 8	20
	-MMC12C-105-AA	4~12	30
BT40	BT40 -MMC 4 - 90-AA	1~ 4	15
	-MMC 8C- 90-AA	2~ 8	20
	-120-AA	2~ 8	20
	-150-AA	2~ 8	20
	-180-AA	2~ 8	20
	-MMC12C- 90-AA	4~12	30
BT40	-120-AA	4~12	30
	-150-AA	4~12	30
	-180-AA	4~12	30
	BT50 -MMC 4 -105-AA	1~ 4	15
	-MMC 8C-105-AA	2~ 8	20
	-135-AA	2~ 8	20
BT50	-165-AA	2~ 8	20
	-195-AA	2~ 8	20
	-MMC12C-105-AA	4~12	30
	-135-AA	4~12	30
	-165-AA	4~12	30
	-195-AA	4~12	30

Taper	Code No.	φD1	φD
NBT30	NBT30 -MMC 4 -105-AA	1~ 4	15
	-MMC 8C-105-AA	2~ 8	20
	-MMC12C-105-AA	4~12	30
NBT40	NBT40 -MMC 4 - 90-AA	1~ 4	15
	-MMC 8C- 90-AA	2~ 8	20
	-120-AA	2~ 8	20
	-150-AA	2~ 8	20
	-180-AA	2~ 8	20
	-MMC12C- 90-AA	4~12	30
NBT40	-120-AA	4~12	30
	-150-AA	4~12	30
	-180-AA	4~12	30
	NBT50 -MMC 4 -105-AA	1~ 4	15
	-MMC 8C-105-AA	2~ 8	20
	-135-AA	2~ 8	20
NBT50	-165-AA	2~ 8	20
	-195-AA	2~ 8	20
	-MMC12C-105-AA	4~12	30
	-135-AA	4~12	30
	-165-AA	4~12	30
	-195-AA	4~12	30

HSK

Coolant-thru have already become the standard (MMC8 / MMC12)



Extra-long size is available



Taper	Code No.	φD1	φD
HSK 50A	HSK 50A-MMC 4 -128-AA	1~ 4	15
	-MMC 8C-127-AA	1~ 4	15
	-157-AA	2~ 8	20
	-187-AA	2~ 8	20
	-MMC12C-129-AA	4~12	30
	-159-AA	4~12	30
HSK 63A	HSK 63A-MMC 4 -116-AA	1~ 4	15
	-MMC 8C-115-AA	2~ 8	20
	-145-AA	2~ 8	20
	-175-AA	2~ 8	20
	-MMC12C-117-AA	4~12	30
	-147-AA	4~12	30
HSK100A	HSK100A-MMC 4 -131-AA	1~ 4	15
	-MMC 8C-130-AA	2~ 8	20
	-160-AA	2~ 8	20
	-190-AA	2~ 8	20
	-MMC12C-130-AA	4~12	30
	-160-AA	4~12	30
HSK 50E	HSK 50E-MMC 4 -128-AA	1~ 4	15
	-MMC 8C-127-AA	2~ 8	20
	-MMC12C-129-AA	4~12	30
HSK 63E	HSK 63E-MMC 4 -116-AA	1~ 4	15
	-MMC 8C-115-AA	2~ 8	20
	-MMC12C-117-AA	4~12	30
HSK 63F	HSK 63F-MMC 4 -128-AA	1~ 4	15
	-MMC 8C-127-AA	2~ 8	20
	-MMC12C-129-AA	4~12	30

MINI-MINI CHUCK COLLET

Standard Type

for MMC4

MPK Collet



Code No.

MPK 4-1, 1.5, 2, 2.5, 3, 3.5, 4

PMK Collet



Code No.

PMK 8-2, 2.2, 2.4, 3, 4, 5, 6, 7, 8*
PMK 12-4, 5, 6, 8, 10, 12

Coolant-thru Type

Coolant Perfect Sealing

VMK Collet



Code No.

VMK 8-2, 3, 4, 5, 6, 8
VMK12-4, 5, 6, 8, 10, 12

Oil Jet Coolant

VMK-J Collet



Code No.

VMK 8-2J, 3J, 4J, 5J, 6J, 8J
VMK12-4J, 5J, 6J, 8J, 10J, 12J

*Please note the acceptable shank tolerance is h6.
*Even the gripping range of PMK collet is 0.2mm/ dia. (e.g. PMK8-2: 1.8~2.0), but the shank tolerance of h6 is highly recommended for precision machining.